



LED TECHNOLOGY













EXTERNAL LIGHTING EQUIPMENTS

- "PHEMO" polyellipsoidal
- "MARK2" Ø80
- License plate light



Vehicles applications

	Trattori <i>Tractors</i>
	Macchine da raccolta <i>Harvest machineries</i>
	Macchine movimento terra <i>Earth moving machines</i>
	Roadside assistance truck <i>Rescue</i>
	Soccorso stradale <i>Rescue</i>
	Spazzatrici stradali <i>Road sweepers</i>
	Autogru <i>Cranes</i>
	Autobus <i>Buses</i>
	Pompieri <i>Firefighters</i>
	Camion con rimorchio <i>Truck with trailer</i>

And more...

da pagina
from page

VEHICLES APPLICATIONS.....	2
“PHEMO” POLYELLIPSOIDAL <i>Low Beam</i>.....	4
“PHEMO” POLYELLIPSOIDAL <i>High Beam</i>.....	5
“MARK2” Ø80 <i>High Beam</i>.....	6
“MARK2” Ø80 <i>Worklamps</i>.....	7
LICENSE PLATE LIGHT <i>Technical specifications</i>.....	8
LICENSE PLATE LIGHT <i>Self tapping screws fixing</i>.....	10
LICENSE PLATE LIGHT <i>Spring fixing</i>.....	10
LICENSE PLATE LIGHT <i>Flange fixing</i>.....	11
CONVERSION TABLE <i>LED vs BULB</i>.....	12

LOW BEAM

FISSAGGIO A 4 VITI / 4 SCREWS FIXING



SPECIFICHE TECNICHE

Technical specifications

- Alimentazione: 12 - 24V
- Grado di protezione: IP66 - IPX9K - IPX7
- Inversione di polarità: protetto
- Load dump: protetto
- Sovratensione: protetto
- Temperatura colore led: 6000 K ± 400
- Temperatura di funzionamento: - 40° C + + 85° C
- Compatibilità elettromagnetica (EMC): ECE R10 - CISPR 25
- Connettore: DELPHI 2 Way Metri-Pack 280 Series

- Power supply: 12 - 24V
- Sealing degree: IP66 - IPX9K - IPX7
- Polarity inversion: protected
- Load dump: protected
- Overcurrent: protected
- Led color temperature: 6000 K ± 400
- Operating temperature: - 40° C + + 85° C
- Electromagnetic compatibility (EMC): ECE R10 - CISPR 25
- Connector: DELPHI 2 Way Metri-Pack 280 Series

RIGHT HAND DRIVING

1099339 | Pkg. Q.ty
05-2232-0000 | 1 **12-24V**

1099338 | Pkg. Q.ty
05-2232-0000 | 40 **12-24V**

LEFT HAND DRIVING

1099425 | Pkg. Q.ty
05-2237-0000 | 1 **12-24V**

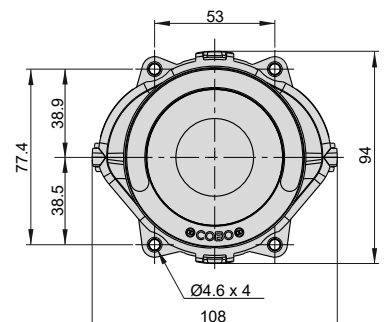
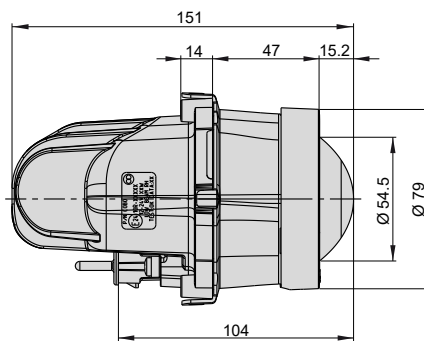
1099426 | Pkg. Q.ty
05-2237-0000 | 40 **12-24V**



OPTIONAL KIT

Connettore controparte / Mating connector
METRI-PACK 280 2 pins

P/N **1028552** (27-0945-0000)
(Includes: connector, rubber taps, female terminals)



HIGH BEAM

FISSAGGIO A 4 VITI / 4 SCREWS FIXING



SPECIFICHE TECNICHE

Technical specifications

- Alimentazione: 12 - 24V
- Grado di protezione: IP66 - IPX9K - IPX7
- Inversione polarità: protetto
- Load dump: protected
- Sovratensione: protetto
- Temperatura colore led: 6000 K ± 400
- Temperatura di funzionamento: - 40° C + + 85° C
- Compatibilità elettromagnetica (EMC): ECE R10 - CISPR 25
- Connettore: DELPHI 2 Way Metri-Pack 280 Series

- Power supply: 12 - 24V
- Sealing degree: IP66 - IPX9K - IPX7
- Polarity inversion: protected
- Load dump: protected
- Overcurrent: protected
- Led color temperature: 6000 K ± 400
- Operating temperature: - 40° C + + 85° C
- Electromagnetic compatibility (EMC): ECE R10 - CISPR 25
- Connector: DELPHI 2 Way Metri-Pack 280 Series

1099427

05-2233-0000

Pkg.
Q.ty
1

12-24V

1099428

05-2233-0000

Pkg.
Q.ty
40

12-24V

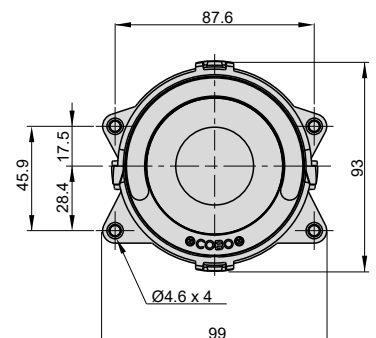
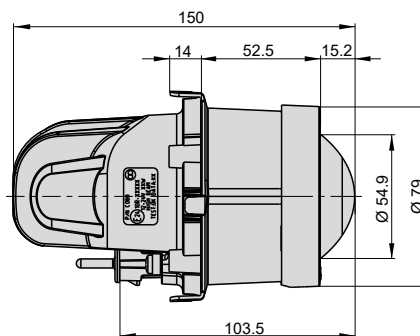


OPTIONAL KIT

Connettore controparte / Mating connector
METRI-PACK 280 2 pins

P/N **1028552** (27-0945-0000)

(Includes: connector, rubber taps, female terminals)



HIGH BEAM

FISSAGGIO A 3 VITI / 3 SCREWS FIXING



SPECIFICHE TECNICHE

Technical specifications

- Omologazione per circolazione stradale: ECE R149 - Classe A
- Flusso luminoso utile: 1300 lm ± 10% @ 25 °C
- Lente: PC trasparente con trattamento antigraffio
- Alimentazione: 9 - 32V
- LED: n°4 Singlechip
- Grado di protezione: IP69K
- Inversione di polarità: protetto
- Load dump: protetto
- Sovratensione: protetto
- Temperatura colore led: 5700 K
- Temperatura di funzionamento:
 - 40° C ÷ + 50° C (100% rendimento luminoso)
 - 50° C ÷ + 85° C (declassamento per protezione termica)
- Compatibilità elettromagnetica (EMC): ECE R10 - CISPR 25

- Homologation Road circulation homologation: ECE R149 - Class A
- Luminous flux output: 1300 lm ± 10% @ 25 °C
- Lens: clear PC with anti-scratch coating
- Power supply: 9 - 32V
- LED: n°4 Singlechip
- Sealing degree: IP69K
- Reverse polarity: protected
- Load dump: protected
- Overvoltages: protected
- Led color temperature: 5700 K
- Operating temperature:
 - 40° C ÷ + 50° C (100% light output)
 - 50° C ÷ + 85° C (heat protection derating)
- Electromagnetic compatibility (EMC): ECE R10 - CISPR 25

1099468

05-2239-0000

Pkg.
Q.ty
1

9-32V

1099190

05-2239-0000

Pkg.
Q.ty
40

9-32V



TECNOLOGIA SINGLECHIP SINGLECHIP TECHNOLOGY

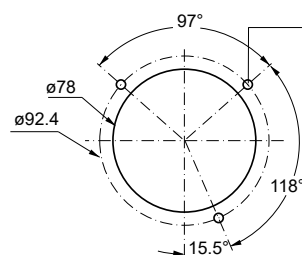
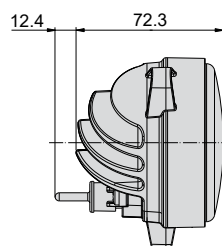
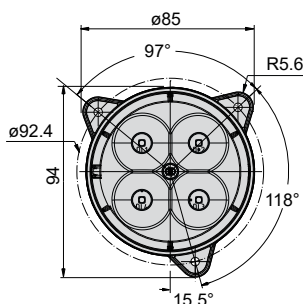


OPTIONAL KIT

Connettore controparte / Mating connector
METRI-PACK 280 2 pins

P/N **1028552** (27-0945-0000)

(Includes: connector, rubber taps, female terminals)



DIAMETRO DEFINITO
DAL TIPO DI VITE E DAL
PANNELLO IMPIEGATO
THE DIAMETER IS GIVEN
BY KIND OF SCREW
AND PANEL USED



WORKLAMPS

FISSAGGIO A 3 VITI / 3 SCREWS FIXING

SPECIFICHE TECNICHE

Technical specifications

- Light pattern: Flood
- Flusso luminoso utile: 1300 lm ± 10% @ 25 °C
- Lente: vetro
- Alimentazione: 9 - 32V
- LED: n°4 Singlechip
- Grado di protezione: IP69K
- Inversione di polarità: protetto
- Load dump: protetto
- Sovratensione: protetto
- Temperatura colore led: 5700 K
- Temperatura di funzionamento:
 - 40° C ÷ + 50° C (100% rendimento luminoso)
 - 50° C ÷ + 85° C (declassamento per protezione termica)
- Compatibilità elettromagnetica (EMC): ECE R10 - CISPR 25

- Light pattern: Flood
- Luminous flux output: 1300 lm ± 10% @ 25 °C
- Lens: glass
- Power supply: 9 - 32V
- LED: n°4 Singlechip
- Sealing degree: IP69K
- Reverse polarity: protected
- Load dump: protected
- Overvoltages: protected
- Led color temperature: 5700 K
- Operating temperature:
 - 40° C ÷ + 50° C (100% light output)
 - 50° C ÷ + 85° C (heat protection derating)
- Electromagnetic compatibility (EMC): ECE R10 - CISPR 25

1099189

05-2243-0000

Pkg.
Q.ty
1

9-32V

1099470

05-2243-0000

Pkg.
Q.ty
40

9-32V



TECNOLOGIA SINGLECHIP SINGLECHIP TECHNOLOGY

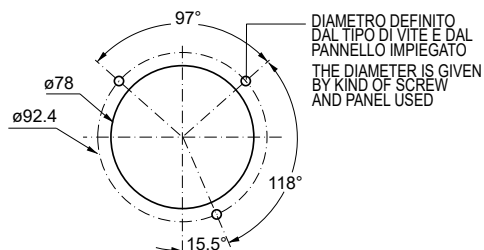
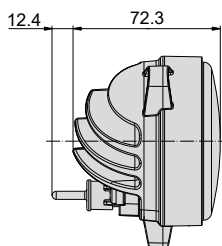
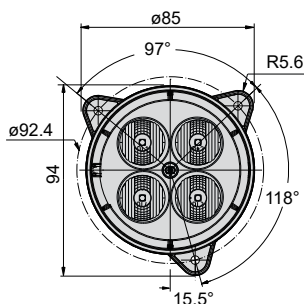


OPTIONAL KIT

Connettore controparte / *Mating connector*
METRI-PACK 280 2 pins

P/N **1028552** (27-0945-0000)

(Includes: connector, rubber taps, female terminals)





SPECIFICHE TECNICHE

Technical specifications

- Omologazione per circolazione stradale: ECE R148
 - Alimentazione: 12V o 24V
 - Grado di protezione: IP67 + 9K
 - Inversione di polarità: protetto
 - Load dump: non protetto
 - Temperatura colore led: 5700 K \pm 300 K
 - Temperatura di funzionamento: - 40° C + + 60° C
 - Compatibilità elettromagnetica (EMC): ECE R10
- Homologation Road circulation homologation: ECE R148
 - Power supply: 12V o 24V
 - Sealing degree: IP67 + 9K
 - Polarity invresion: protected
 - Load dump: not protected
 - Leds color temperature: 5700 K \pm 300 K
 - Operating temperature: - 40° C + + 60° C
 - Electromagnetic compatibility (EMC): ECE R10



Dimensions
See page 10



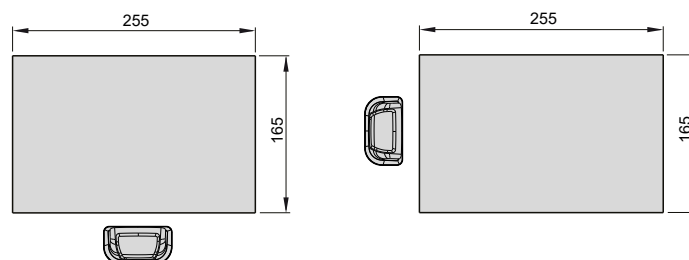
Dimensions
See page 10



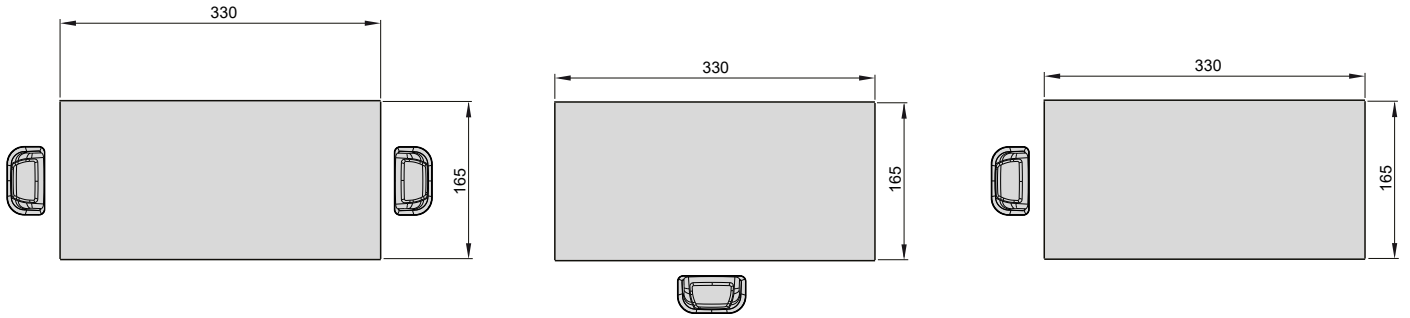
Dimensions
See page 11

TIPI DI TARGHE E MONTAGGIO / LICENSE PLATE LIGHT TYPES AND MOUNTING

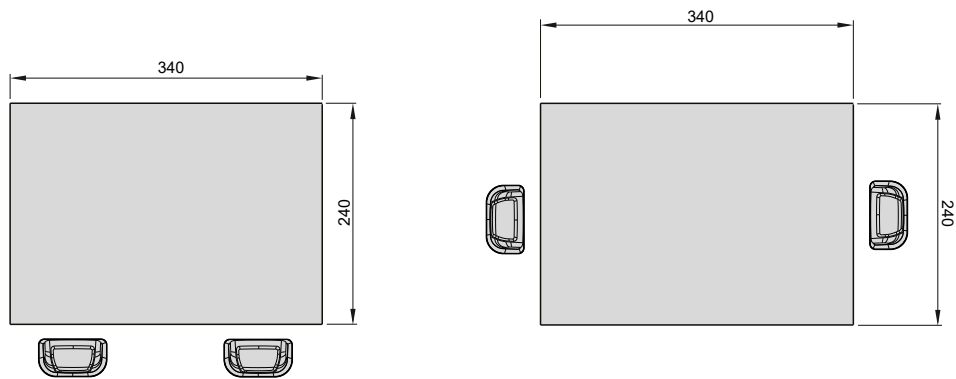
255 X 165 mm



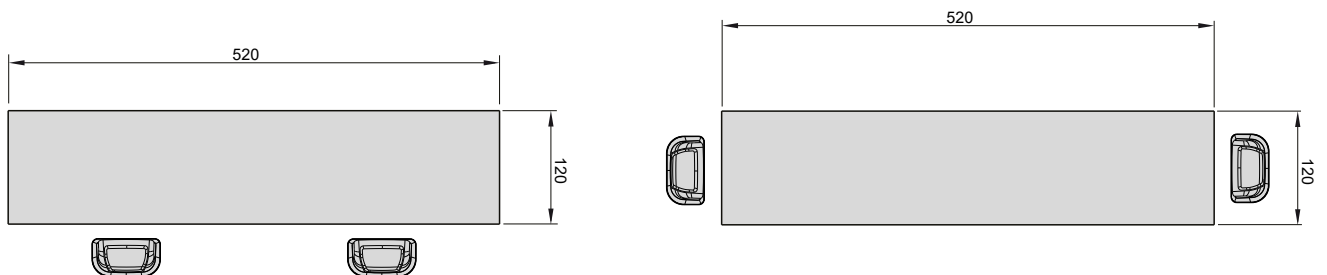
330 X 165 mm



340 X 240 mm



520 X 120 mm



FISSAGGIO A VITI AUTOFILETTANTI / SELF TAPPING SCREWS FIXING



1099307 | Q.ty 2 | **12V**
02-1924-0000

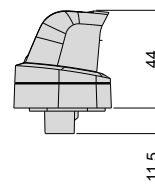
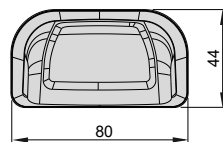
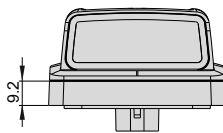
1099308 | Q.ty 30 | **12V**
02-1924-0000

1099309 | Q.ty 2 | **24V**
02-1963-0000

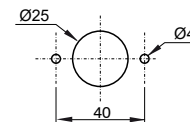
1099310 | Q.ty 30 | **24V**
02-1963-0000



FISSAGGIO FIXING



FORATURA D'APPLICAZIONE Application hole



FISSAGGIO A MOLLE / SPRING FIXING



1099311 | Q.ty 2 | **12V**
02-1959-0000

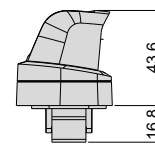
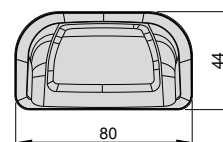
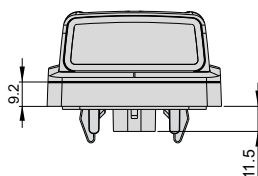
1099313 | Q.ty 30 | **12V**
02-1959-0000

1099312 | Q.ty 2 | **24V**
02-1964-0000

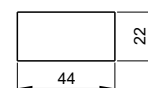
1099314 | Q.ty 30 | **24V**
02-1964-0000



FISSAGGIO FIXING



FORATURA D'APPLICAZIONE Application hole

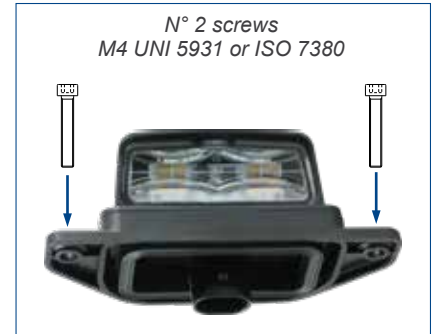


Spessore 2.5 ± 4mm
Thickness 2.5 ± 4mm

FISSAGGIO A FLANGIA / FLANGE FIXING



FISSAGGIO
FIXING

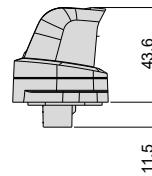
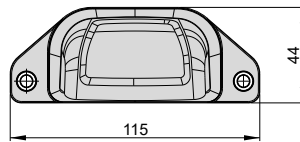
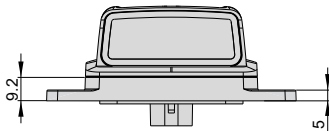


1099315 | Q.ty 2 | **12V**
02-1960-0000

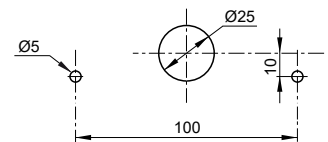
1099317 | Q.ty 20 | **12V**
02-1960-0000

1099316 | Q.ty 2 | **24V**
02-1965-0000

1099318 | Q.ty 20 | **24V**
02-1965-0000



FORATURA D'APPLICAZIONE
Application hole



“PHEMO” POLYELLIPSOIDAL



DESCRIPTION	ORDER CODE	DRAWING CODE	VOLTAGE	Q.ty	VOLTAGE	ORDER CODE	DRAWING CODE
 LOW BEAM (RIGHT HAND DRIVING)	1099339	05-2232-0000	12 - 24V	1	12V	1014144	05-1392-0000
	1099338	05-2232-0000	12 - 24V	40	12V	1014145	05-1392-0000
	-	-	-	-	12V	1014222	05-1455-0000
	-	-	-	-	12V	1014223	05-1455-0000
	-	-	-	-	12V	1014743	05-1953-0000
	-	-	-	-	12V	1014744	05-1953-0000
 LOW BEAM (LEFT HAND DRIVING)	1099425	05-2237-0000	12 - 24V	1	12V	1014141	05-1391-0000
	1099426	05-2237-0000	12 - 24V	40	-	-	-
	-	-	-	-	12V	1014221	05-1454-0000
	-	-	-	-	12V	1014741	05-1952-0000
	-	-	-	-	12V	1014742	05-1952-0000

"PHEMO" POLYELLIPSOIDAL



DESCRIPTION

ORDER CODE

DRAWING CODE

VOLTAGE

Q.ty

VOLTAGE

ORDER CODE

DRAWING CODE

HIGH BEAM







1099427	05-2233-0000	12 - 24V	1
1099428	05-2233-0000	12 - 24V	40
-	-	-	-
-	-	-	-
-	-	-	-
-	-	-	-

12V	1014151	05-1394-0000
12V	1014152	05-1394-0000
12V	1014226	05-1457-0000
12V	1014227	05-1457-0000
12V	1014745	05-1954-0000
12V	1014746	05-1954-0000



"MARK2" Ø80 RANGE



DESCRIPTION		ORDER CODE	DRAWING CODE	VOLTAGE	Pkg. Q.ty	ORDER CODE	DRAWING CODE	
HIGH BEAM LAMP		1099468	05-2239-0000	9 - 32V	1	-	-	
		1099190	05-2239-0000	9 - 32V	40	1014538	05-1675-0000	
FLOOD WORKLAMP		1099189	05-2243-0000	9 - 32V	1	-	-	
		1099470	05-2243-0000	9 - 32V	40	1014539	05-1676-0000	

LICENSE PLATE LIGHT



FIXING		ORDER CODE	DRAWING CODE	VOLTAGE	Pkg. Q.ty	ORDER CODE	DRAWING CODE	
SELF TAPPING SCREWS		1099307	02-1924-0000	12V	2	1010501	02-924-0000	
		1099308	02-1924-0000	12V	30	1010502	02-924-0000	
		1099309	02-1963-0000	24V	2	-	-	
		1099310	02-1963-0000	24V	30	1010503	02-924-0000	
SPRINGS		1099311	02-1959-0000	12V	2	1008162	02-1033-0000	
		1099313	02-1959-0000	12V	30	1008163	02-1033-0000	
		1099312	02-1964-0000	24V	2	-	-	
		1099314	02-1964-0000	24V	30	-	-	
FLANGE		1099315	02-1960-0000	12V	2	1008217	02-1056-0000	
		1099317	02-1960-0000	12V	20	1008218	02-1056-0000	
		1099316	02-1965-0000	24V	2	-	-	
		1099318	02-1965-0000	24V	20	1008219	02-1056-0000	

GERMANY



COBO DEUTSCHLAND GmbH
Zum Schürmannsgraben, 12E
D-47441 - Moers
Germany
Phone: +49 (0) 2841 88238 0
Fax: +49 (0) 2841 88238 23
E-mail: info@cobogroup.net
Web Site: www.cobo-deutschland.com

FRANCE



COBO FRANCE Sarl
Allée de l'Europe, 2 - Zone Coriolis
71210 - Ecuisses
France
Phone: +33 (0) 3 857 30560
Fax: +33 (0) 3 857 85606
E-mail: info@cobogroup.net
Web Site: www.cobo-france.com

NORTH AMERICA



COBO USA Corporation
West Division Street, 304
52655 - West Burlington
Iowa - USA
Phone: +1 319 754 5585
Fax: +1 319 754 8724
E-mail: info@cobogroup.net
Web Site: www.cobointernational.com

LATIN AMERICA



COBO COMPONENTES AGR. E IND. Ltda
Rua Dona Francisca, 8300 - Bloco 2-M
89219-600 Zona Industrial - Joinville
Santa Catarina - Brasil
Phone: +55 47 3305 0095
E-mail: info@cobogroup.net
Web Site: www.cobogroup.net

OCEANIA



COBO OCEANIA Ltd
Burnside Road, 9/93
4207 Stapylton - Brisbane
Queensland - Australia
Phone: +61 (0) 7 3807 4866
Fax: +61 (0) 7 3807 6780
E-mail: info@cobogroup.net
Web Site: www.cobo.com.au

SOUTH-EAST ASIA



COBO ASIA Ltd
Wai Yip Street, 133
11/F, 12/F and Roof Floor - Kwun Tong
Hong Kong
Phone: +852 3511 6708 (6709)
E-mail: info@cobogroup.net
Web Site: www.cobogroup.net

CHINA



COBO GUANGZHOU Ltd
101/102 Building 7, Shi Dai Fang Zhou
30 Hua Zhou Road, Haizhu District
510220 - Guangzhou
People's Republic of China
Phone: +86 20 8922 5611
Fax: +86 20 8922 5635
E-mail: info@cobogroup.net
Web Site: www.cobogroup.net

INDIA



COBO INDIA Branch Office
Mathura Road, 13/6 - 4th floor, 403
121003 NH-2 - Faridabad
Haryana - India
Phone: +91 129 4871206
Email: info@cobogroup.net
Web Site: www.cobogroup.net



C.O.B.O. SpA

Via Tito Speri, 10
25024 Leno (Brescia) ITALY
Phone +39 030 90451
Fax +39 030 9045330



info@cobogroup.net | www.cobogroup.net

Le informazioni contenute nella presente informativa hanno scopo puramente indicativo.
L'Azienda si riserva senza preavviso il diritto di apportare qualsiasi modifica tecnica del prodotto.
The information published in this catalogue is purely indicative. The Company reserves the right to introduce all technological changes of the present product at any time and without prior notice.